



Transtage All-Terrain Portable Staging System Stage

Thank you

for your purchase of your very own
Transtage All-Terrain Portable Staging Solution.

Please take the time to read this short introductory and instructional
leaflet in order to get the most out of your exciting new purchase
as well as aiding in the prevention of potential hazards.

**INSTRUCTION
MANUAL**

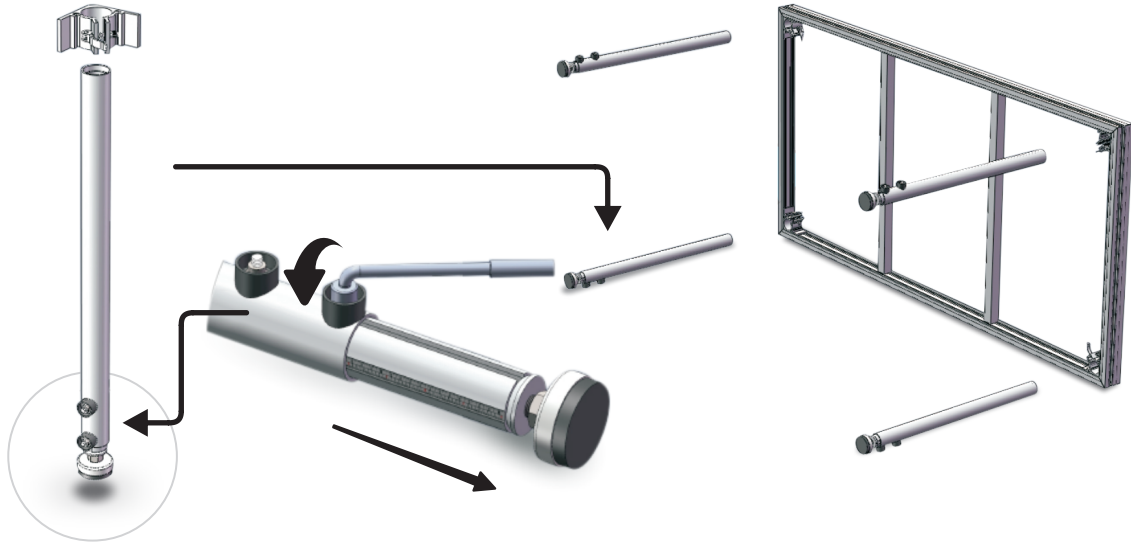
www.transtage.com.au

ADJUST LEGS HEIGHT

transtage

1

Release the two bolts on the Leg, using the integrated measuring tape on the inner tube adjust each leg to the desired height, then secure both bolts tautly.



2

With each Deck, slot all four legs to the corners of the Deck and lock them off using the Stage Leg Locking Lever.



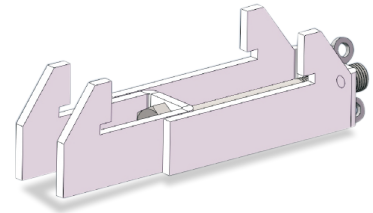
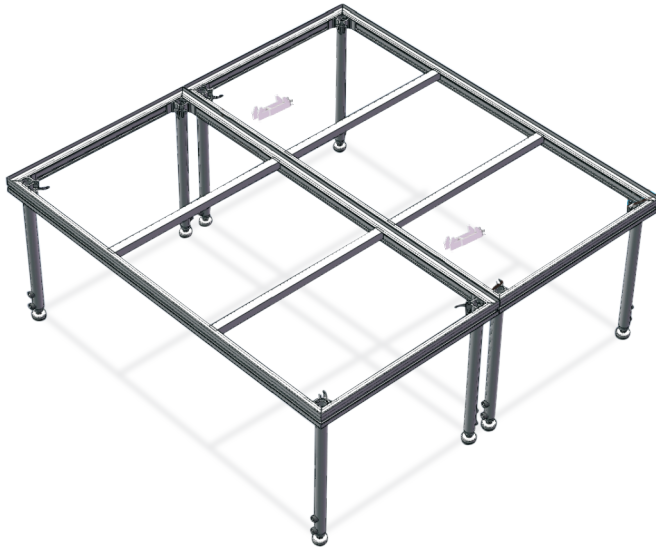
3

Flip Stage into upright position.



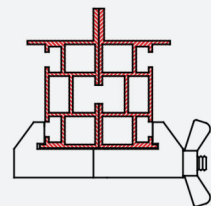
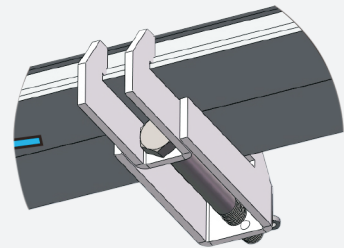
4

Butt completed Stage modules together in desired configuration and apply the 'C Clamps'.



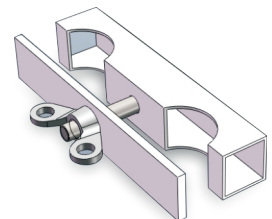
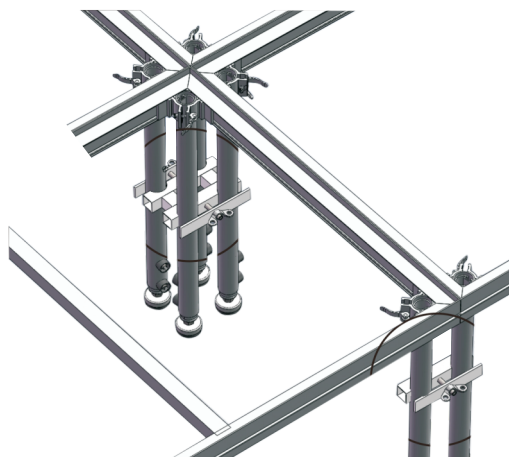
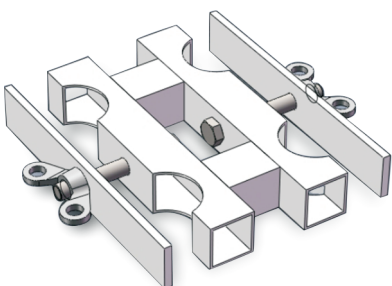
5

Simply twist the Wing nut clockwise until secure.



6

For Stages exceeding 1 metre in height, we recommend the application of Leg Clamps and / or Braces for additional strength and security.



- 1 Connect the Velcro activated Skirt Clips (supplied with Skirts) to the Aluminium Profile of the Stage Decks, we recommend roughly 3-4 clips / metre of skirting, then simply affix the Skirt to the Male Velcro of the Clips.
- 2 The other option with this system for skirting is to Purchase the Male Velcro strips, attach this strip to the recess in the profile of the Stage Deck and simply align the female Velcro of the Stage Skirts to the Stage profile for securing.

TRANSPORT SYSTEMS

Caster Kits

- 1 When using your Staging Caster Kit, the first Stage Deck needs to be flipped over and the Four Caster Wheels with Spigots are to be inserted into the Leg receivers and locked in tautly. Flip the Stage Deck back over and neatly stack the rest of your decks atop (no more than 15 / Caster Kit for safety reasons).
- 2 Take your two Orange Coloured Ratchet straps and strap your Decks up in a “criss-cross” manner widthways and lengthways, please be sure to use the longer strap lengthways and Ratchet them tautly.
- 3 Finally take your Purple Strap – on the ends of this strap are Heavy Duty Hooks that will hook into the cavity of the Thick Steel Plate on the Caster Wheels, once you’ve hooked into these two cavities, you will have created yourself a method for pulling the decks along.

Trolleys

Trolleys are extremely straightforward, simply place your Stage Decks into them lengthways, and as Trolleys are custom made, they will take as many or as few Decks as you have specified. Upon completion, your Stage Decks are ready to be transported.

Accessory Case

All your stage accessories such as Skirts, Legs and Hardware are all able to be packed down nicely into a Road Case. As a rule we recommend placing the Stage Legs in first, followed by Step Legs, then your Stage Skirts and finally the Stage Hardware – as this is the most delicate we recommend placing these items in last or at least keep them separated from the Stage Legs.